

ZT 220P/225P poly

ZYTECH MODULES



Made in European Union

Cells	
Cell Technology	Polycrystalline silicon
Number per module	60
Cells dimensions	156 × 156 mm

Mechanical Data	
Dimension of the module L × W × H	1669 × 997 × 46 mm
Weight	20.0 kg

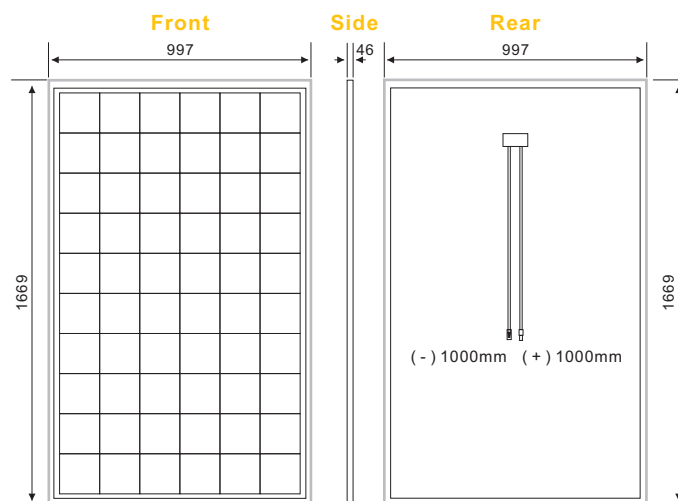
Electrical data			
		ZT 220P	ZT 225P
Maximum power	P_{max}	220 W	225 W
Open Circuit Voltage	V_{oc}	36.36 V	36.60 V
Maximum power point voltage	V_{mpp}	29.09 V	29.28 V
Short circuit current	I_{sc}	8.13 A	8.21 A
Maximum power point current	I_{mpp}	7.55 A	7.68 A
FF Factor		74.30 %	74.84 %
Module Efficiency		13.22 %	13.52 %

* At Standard Conditions (STC) Irradiance 1000 watt/m², spectrum AM 1,5 at a cell temperature of 25°C.

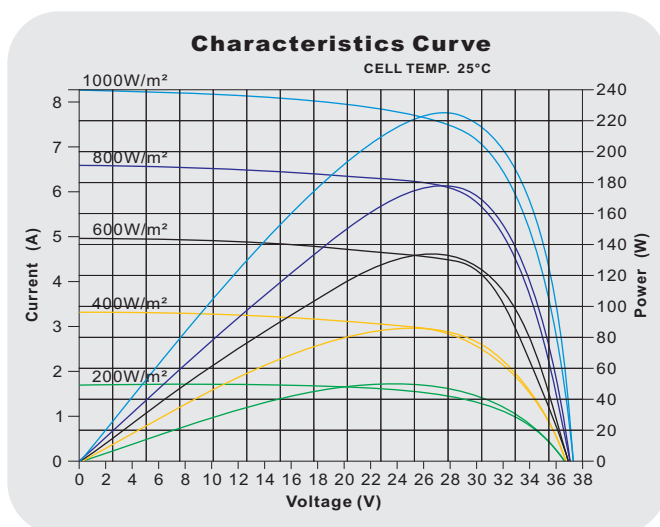
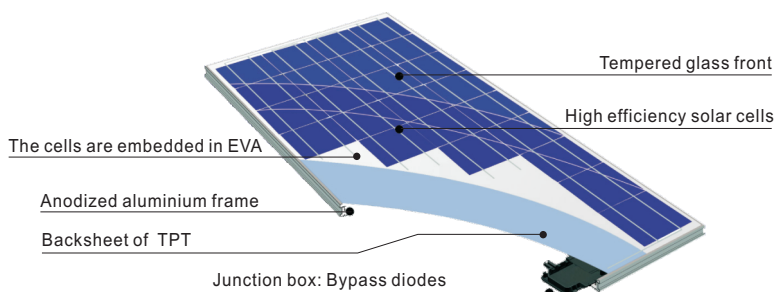
Thermal data	
NOCT	47°C ± 2°C
Temperature Coefficient of V_{oc}	- 0.144 mV / °C
Temperature Coefficient of I_{sc}	+ 5.5 mA / °C
Temperature Coefficient of Power	- 0.40 % / °C

System integrated parameters	
Maximum system voltage SCII	1000 VDC
Maximum reverse current	Do not apply external voltages larger than V_{oc} to the module

Additional data	
Junction box	1000 VDC
Connector	Plug type 4
Power tolerance	± 3%
Cable	4 mm ²
Cable lengths	1000 mm
Bypass diodes	3 pieces



Module Construction



Zytech Solar reserves the right to change specifications without notice .



5 years limited warranty on material and workmanship.
Guarantee of production of 90% to 10 years and of 80% to 25 years.

ZYTECH SOLAR - Zueco Y Technology S.L.
P. Industrial Centrovia - C/R. Janeiro, 12
50198 La Muela (Zaragoza) SPAIN
Tel: +34 976 141819 / Fax: +34 976 141818
info@zytechsolar.com / www.zytechsolar.com