

# ZT 230P/235P/240P poly

## ZYTECH MODULES



Made in European Union

Cells	
Cell Technology	Polycrystalline silicon
Number per module	60
Cells dimensions	156 × 156 mm

Mechanical Data	
Dimension of the module L × W × H	1669 × 997 × 46 mm
Weight	20.0 kg

Electrical data		ZT 230P	ZT 235P	ZT 240P
Maximum power	$P_{max}$	230 W	235 W	240 W
Open Circuit Voltage	$V_{oc}$	36.96 V	37.08 V	36.90 V
Maximum power point voltage	$V_{mpp}$	29.34 V	29.66 V	29.52 V
Short circuit current	$I_{sc}$	8.14 A	8.41 A	8.65 A
Maximum power point current	$I_{mpp}$	7.84 A	7.92 A	8.13 A

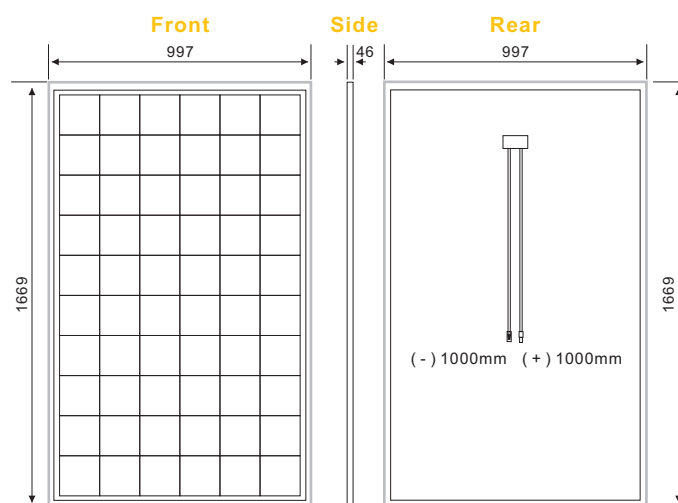
FF Factor	76.46 %	75.33 %	75.19 %
Module Efficiency	13.82 %	14.12 %	14.42 %

\* At Standard Conditions (STC) Irradiance 1000 watt/m<sup>2</sup>, spectrum AM 1,5 at a cell temperature of 25°C.

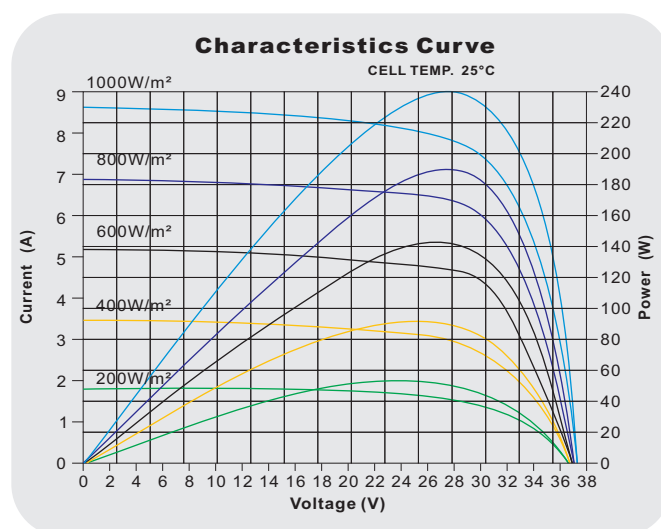
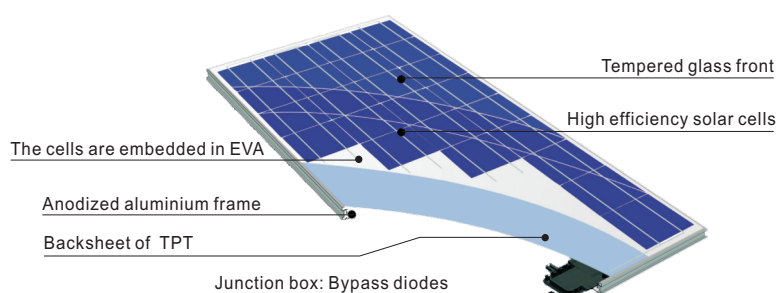
Thermal data	
NOCT	47°C ± 2°C
Temperature Coefficient of $V_{oc}$	- 0.144 mV / °C
Temperature Coefficient of $I_{sc}$	+ 5.5 mA / °C
Temperature Coefficient of Power	- 0.40 % / °C

System integrated parameters	
Maximum system voltage SCII	1000 VDC
Maximum reverse current	Do not apply external voltages larger than $V_{oc}$ to the module

Additional data	
Junction box	1000 VDC
Connector	Plug type 4
Power tolerance	± 3%
Cable	4 mm <sup>2</sup>
Cable lengths	1000 mm
Bypass diodes	3 pieces



### Module Construction



Zytech Solar reserves the right to change specifications without notice .



5 years limited warranty on material and workmanship.  
Guarantee of production of 90% to 10 years and of 80% to 25 years.

**ZYTECH SOLAR** - Zueco Y Technology S.L.  
P. Industrial Centrovía - C/R. Janeiro, 12  
50198 La Muela (Zaragoza) SPAIN  
Tel: +34 976 141819 / Fax: +34 976 141818  
info@zytechsolar.com / www.zytechsolar.com